

Advanced design motors for plantation shutters, Roman shades, pleated shades, horizontal wood or aluminum blinds, and state-of-the-art drapery and vertical blind motorization systems. Innovative, versatile solutions for every control option imaginable.



MOTORIZED PLANTATION SHUTTERS

With Solar Shading Systems® Motorized Plantation Shutters® LouverLevel Control® you have unparalleled control flexibility to operate the louvers individually, as a group, or as user definable sub-groups inside the main group.

- To operate panels 1 through 8 individually, depress the corresponding button on the transmitter.
- To operate all 8 panels simultaneously, depress the green "ALL" button on the transmitter.
- To operate the 4 panels in the west or north group simultaneously, depress button 9 for the west group and 10 for the north group.



Solar Shading Systems®, an industry leader in motorized window treatments, brings plantation shutters into the 21st century with multiple panel LouverLevel Control™. Classic, individually handcrafted solid basswood shutters

that incorporate state-of-the-art motorization technology.

These elegant shutters utilize virtually silent, low voltage motors pocketed in each shutter rail to position the louvers automatically, maintaining precisely the same louver angle for each shutter panel. Multiple motors are wired into our control system and can be either hardwired or plugged into 120 VAC. Louvers in as many as 50 shutter panels can be instantly opened, closed, or adjusted individually, together as a group or any combination of subgroups, at the same time by pressing a button on our handheld remote or keypad. LouverLevel Control can be interfaced with home or building automation systems to be part of a total automation package.

Our next generation shutters are motorized via an internal drive that eliminates the use of the traditional tilt bar. This system allows for manual operation of the louvers without disconnecting from the motor or control, making Solar Shading Systems Motorized Plantation Shutters virtually indestructible—suitable for commercial application or use within the reach of children who may not know the shutters are motorized. To re-align, simply use the transmitter or keypad.

Closed,
Louvers
Up



Louvers
1/4
Open



Louvers
Open



Louvers
3/4
Open



Closed,
Louvers
Down



*Patent Pending

In addition to open and close buttons, LouverLevel Control has buttons programmed to 5 preset positions: closed tilted up, 1/4 open, fully open, 3/4 open and closed tilted down. These buttons can be reprogrammed to any percentage setting of openness desired.



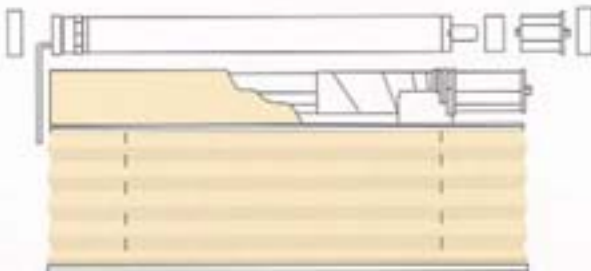
Shutters can follow the shape of most windows, maintaining the integrity of the interior and exterior design. Perfectly arched plantation shutters are easily motorized, operated, and integrated with the same handheld remote or keypad.

SSS•40 MOTORIZED CORD TAKE-UP SYSTEM

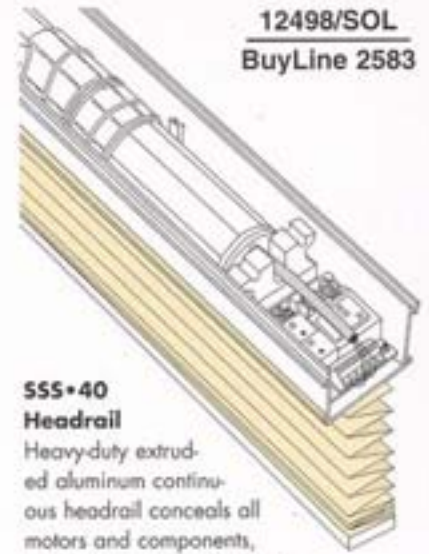
State-of-the-art lift and tilt system for all types of horizontal blinds, Roman shades, pleated shades, cellular shades, woven wood shades and any window treatment lift needs. Powerful heavy-duty commercial grade systems operate quietly and efficiently. SSS•40 features a cord take-up design that will recycle and realign automatically if objects temporarily obstruct normal operation. 110V hard-wired system with unlimited control options. The most dependable and versatile lift system on the market.



SSS•40 System (below) features heavy duty 110V hard-wired tube motors with capacities of up to 132 lbs. Speeds of 8 to 32 RPM drive hexagon tubes with tapered cord take-up cones attached. The system realigns automatically if objects temporarily obstruct normal operation. All operating components are concealed inside the SSS•40 Headrail.

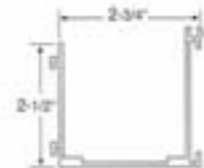


12498/SOL
BuyLine 2583



SSS•40 Headrail

Heavy-duty extruded aluminum continuous headrail conceals all motors and components, front and back. Self-valance feature for most Roman shades, Z Solar Shades™, and woven wood shades. Shown with SSS•501 Control mounted in headrail.



SSS•40 Headrail

Compact heavy-duty extruded aluminum headrail with matching end caps. White color standard.



SSS•492 Wall or Ceiling Bracket

for secure attachment to any surface. Minimum pocket width for proper access is 5" wide.



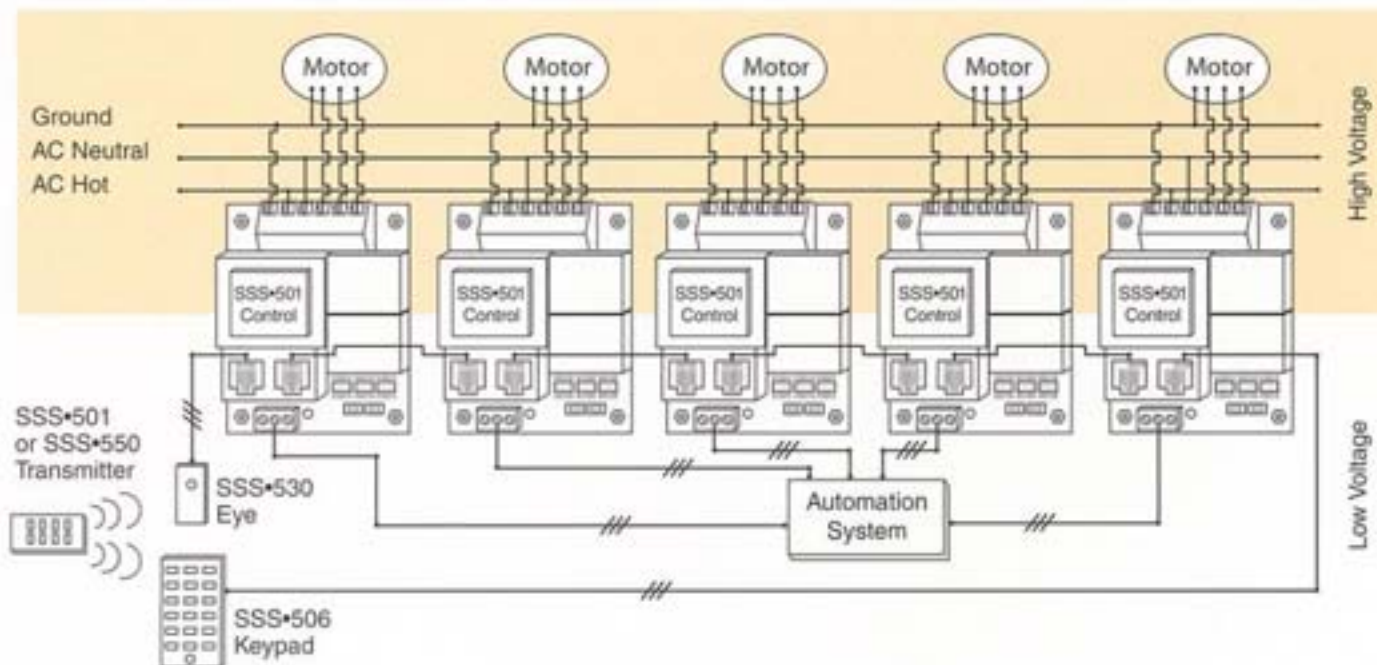
SSS•492 Bracket allows headrail to be set on the bottom of the bracket and rotate inward to lock the bracket in place. Removal is accomplished by pushing up and releasing from the bottom.

CONTROLS

Solar Shading Systems® offers the most complete and versatile control systems for operating any type of window treatments available. The systems combine any AC or DC motor control needs with low voltage signals that emanate from automation systems, infrared transmitters, timers, sun sensors, keypads or wall switches. Up to 55 separate window treatments can be operated from one system, which only needs to be linked with low voltage telephone cords.

Window treatments can be re-programmed while in operation from the keypad or transmitter without accessing the motors or controllers. The keypad combines wall switch functions and includes an infrared receiving eye for remote transmitter operations. The SSS•501 Control can be field programmed to function with TV and automation transmitters. The capabilities and options are limitless with this versatile, easy-to-use system.

Typical wiring diagram



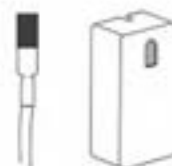
SSS•506 Keypad combines complete wall switch control with an infrared receiver eye. The SSS•507 Transmitter or SSS•550 Touch Screen can be pointed at the keypad for remote operation and it can be used as a standard wall switch or connected to the controller with 4-conductor telephone cable.



SSS•507 Transmitter 24-channel programmable IR transmitter operates up to 24 motors on one eye; momentary mode for tilt adjustments of horizontal blinds; maintained mode for shade and drapery products. Unit can be programmed with controller to operate single shades or various combinations.



SSS•550 Touch Screen Programmable touch screen transmitter can operate up to 50 shades/blinds through single or multiple eyes. Operates multiple treatments, including tilt and lift functions. In addition to operating shades/blinds, can be programmed to operate most IR controlled systems (TV, stereo, etc.)



SSS•528 IR Eye IR Eye with 2' lead, 1/4" x 1/4" square eye can be mounted in SSS•530 box. (SSS•531 for J-Box mount). Custom lead length available to 100'.

