

# SOLAR SHADING SYSTEMS®

SSS • 40 MOTORIZED CORD TAKE-UP SYSTEM



Innovative Window Fashion Technology

# SSS•40 MOTORIZED CORD TAKE-UP SYSTEM

Solar Shading Systems offers the most complete and versatile motorization systems available on the market today. The SSS•40 Motorized Cord Take-up System is a powerful heavy-duty commercial grade lift and tilt system for operating all types of Roman shades, pleated shades, cellular shades, horizontal blinds and woven wood shades. 110V hard-wired tube motors, with 132 lbs.

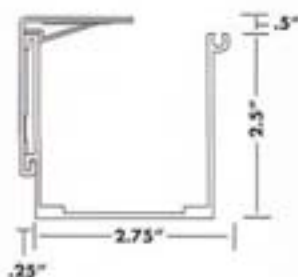
capacity and speeds of 8 to 32 RPM drive hexagon tubes with tapered cord take-up cones attached. Shades up to 240" wide by 180" tall operate trouble-free with any SSS control—transmitter, key pad, automation system, timer, sun sensor or PC. Shades will recycle and re-align when objects temporarily obstruct normal operation.



**SSS•40 Headrail.** Our SSS•40 is a compact heavy-duty extruded aluminum continuous headrail that conceals all motors and components, front and back. A self-balancing feature for most Roman shades and woven wood shades is standard. White with matching end caps.



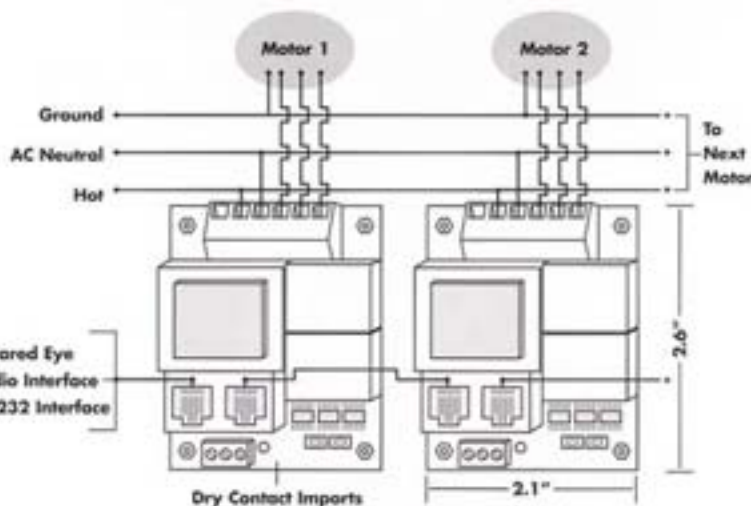
**SSS•507 Hand-held Transmitter.** Shades or groups of shades can be raised, lowered, tilted, sent to preset positions or stopped from as far away as 150' with infrared or radio signals. Operate up to 24 shades individually, as a group, or in any combination of sub-groups, with the touch of your finger.



**SSS•492 Headrail.** Compact heavy-duty aluminum headrail with matching end caps. White color standard. Brackets securely attach headrail to ceiling or wall. Headrail is tilted and snapped into bracket. 1/2" clearance at ceiling is required.



**SSS•501 Programmable, Addressable Infrared Receiver.** This flexible, state-of-the-art receiver is the electronic starting point for an SSS control network. Infrared codes emitted from an SSS transmitter, key pad, automation system or PC operate window treatments individually, in groups, or in any combination of sub-groups.



**SSS•560 Radio Interface.** Add this interface to the SSS•501 network and you have the convenience of an infrared network using radio signals without the need for a receiving eye. You may use infrared and radio controls in the same window treatment network for even more flexibility.



**SSS•506 Key Pad.** Shades or groups of shades can be raised, lowered, tilted, sent to preset positions or stopped, all from one key pad. Operate up to 24 shades individually, as a group or in any combination of sub-groups. A cleverly hidden receiving eye allows for remote operation. Use our radio version and add a key pad virtually anywhere, without new wiring.



**RS 232 Interface.** With this interface and our exclusive Windows-based program, you can operate an unlimited number of window treatments from your PC. This interface may also be used to integrate your shades with your home automation system. Use our EVENTS calendar on your PC to automatically control your shades at pre-determined times.

Visit our web-site at [www.solarshadingsys.com](http://www.solarshadingsys.com) for showrooms and sales representatives in your area and a complete listing of Solar Shadings Systems' products.



Innovative Window Fashion Technology